

## LUG TYPE BUTTERFLY VALVE

### SPECIFICATION

FOR BS EN 1092-2 (BS4504) PN10 / PN16 FLANGE MOUNTING  
FACE-TO-FACE DIMENSION TO ISO 5752 / BS 5155 / BS EN 593  
LEVER / WORM GEAR OPERATOR

### PRESSURE / TEMPERATURE RATINGS

Working Pressure	16 bar
Testing Pressure	Shell: 1.5 times Seat: 1.1 times
Working Temperature	-20°C to 110°C (EPDM Seat) -10°C to 80°C (NBR Seat)
Suitable Media	Water & Oil

### MATERIALS

Part	Material	BS EN *
Body	Cast Iron Ductile Iron	1561 GJL-250 1563 GJS-400-18
Disc	Ductile Iron Aluminium Bronze Stainless Steel 304 Stainless Steel 316	1563 GJS-400-18 1982 CC491K 10283 GX5CrNi19-10 10283 GX5CrNiMo19-11-2
Seat Ring	EPDM NBR	
Shaft	Stainless Steel 410 Stainless Steel 431	10088-3 X12Cr13 10088-3 X17CrNi16-2
O-Ring	NBR	
Bushing	Resin	

\*: Indicates the corresponding equivalent standard material for BS EN.

### DIMENSIONS

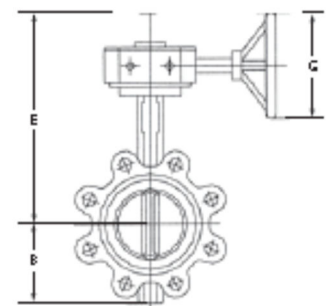
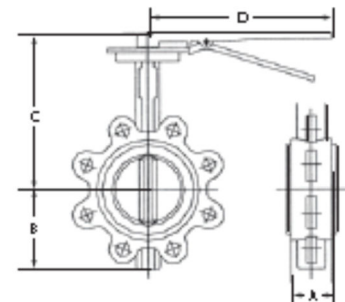
Unit: mm

Size	A	B	C	D	E	G
50	43	66	183	215	270	145
65	46	78	193	215	280	145
80	46	103	201	215	288	145
100	52	115	226	235	310	145
125	56	126	242	260	323	145
150	56	139	257	260	338	145
200	60	173	301	355	445	280
250	68	210	342	355	486	280
300	78	242	387	355	533	280
350	78	270	-	-	558	280

**BFV-LB**

**PN16**

DN50~DN350



## LUG TYPE BUTTERFLY VALVE

### SPECIFICATION

FOR BS EN 1092-2 (BS4504) PN10 / PN16 FLANGE MOUNTING  
FACE-TO-FACE DIMENSION TO ISO 5752 / BS 5155 / BS EN 593  
DOUBLE-STAGE WORM GEAR OPERATOR

### PRESSURE / TEMPERATURE RATINGS

Working Pressure	16 bar
Testing Pressure	Shell: 1.5 times Seat: 1.1 times
Working Temperature	-20°C to 110°C (EPDM Seat) -10°C to 80°C (NBR Seat)
Suitable Media	Water & Oil

### DIMENSIONS

Unit: mm

Size	A	B	E	F	G
400	102	307	676	260	280
450	114	336	702	260	280
500	127	373	733	260	280
600	154	429	877	300	385

Note:

1. Actuator mounting flange conforms to ISO 5211 drilling.
2. The butterfly valve can be supplied with electric actuator.
3. Micro switch / limit switch box are available upon request.
4. Others flange standard available upon request.
5. Design and specifications are subject to change without prior notice.

**BFV-LB**

**PN16**

DN400~DN600

